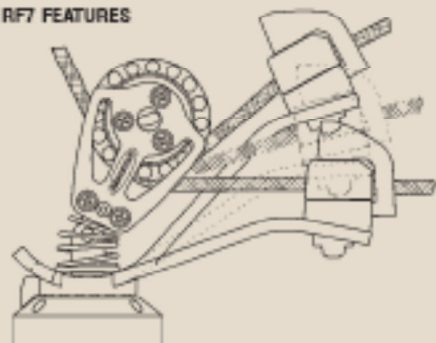
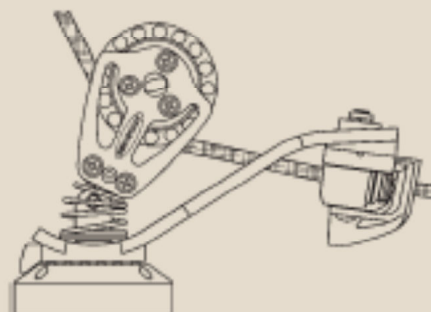



**RF7 FEATURES**


Height adjustable arm for optimum cleating angle.



Twin ball bearing race minimises friction. Adjustable ratchet system prevents the arm from falling to leeward.



Cleat and wedge kit can be mounted upside down to help achieve the optimum cleating angle or suit downward uncleating if preferred.

**FEATURES**

- ▶ Adjustable height and angle of RF7 cleating arm for optimum control.
- ▶ Twin rows of ball bearings support the RF7 cleating arm. Stops are provided to limit travel to 260 degrees, and can be removed to allow full 360 degree rotation.
- ▶ An adjustable ratchet in the RF7 base allows the cleating arm to remain in its most recently used position. The ratchet can be turned off for free swivelling.

**APPLICATIONS**

- ▶ Mainsheet systems on dinghies and sportsboats to 8m (26').

**MATERIALS**

- ▶ Alloy cleating arms.
- ▶ Fibre reinforced Nylon base (RF7).
- ▶ Grade 316 stainless steel fittings.

PRODUCT No.	DESCRIPTION	M.W.L.		B.L.		WEIGHT	
		kg	(lb)	kg	(lb)	g	(oz)
RF7	Ball bearing swivelling cleat base, 5mm (3/16") pin	300	(660)	600	(1320)	320	(11.3)
RF8	Swivelling cleat base, 5mm (3/16") pin	320	(710)	640	(1410)	373	(13.2)